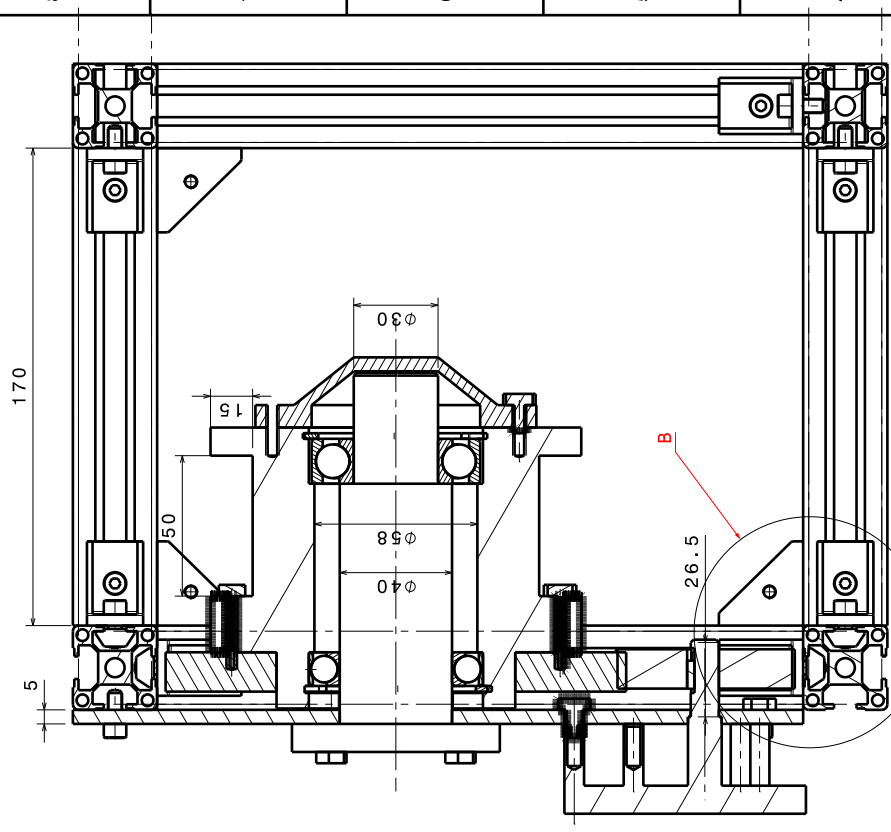
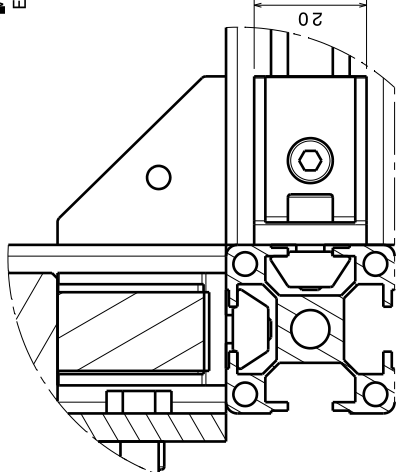


A
 Vue de face
 Echelle : 3:4



Coupe A-A
 Echelle : 3:4



Détail B
 Echelle : 3:2

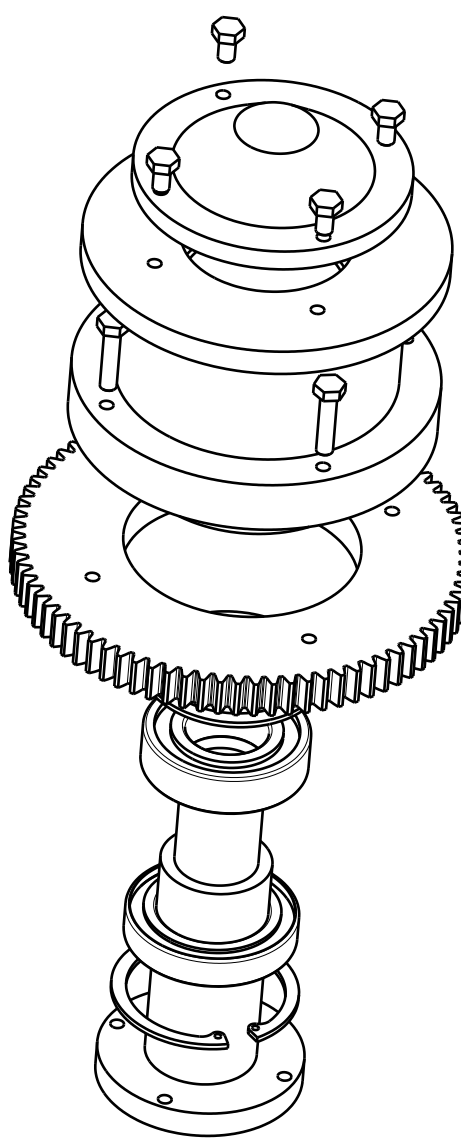
Qt.	Référence	Type	Nomenclature
1	Plaque	CATPart	-
46	vis chc	CATPart	-
18	Ecrou	CATPart	-
2	Profile_36	CATPart	-
4	Profile_23	CATPart	-
20	Support Plaque	CATPart	-
4	Profile_20	CATPart	-
2	Profile_30	CATPart	-
1	Moteur	CATPart	-
1	Part3	CATPart	-
1	Engrenage_Petit	CATPart	-
7	vis H 10	CATPart	-
1	Tambour_v2	CATPart	-
1	Arbre_v2	CATPart	-
1	rlt 64_40_12	CATPart	-
1	rlt 62_30_16	CATPart	-
1	circulips interieur	CATPart	-
1	circulip_60	CATPart	-
1	Chapeau	CATPart	-
8	vis H 26	CATPart	-
1	Engrenage_Grand	CATPart	-

PRESIDENT: M.F.		Bastien Fouque	
DATE:		20/12/2019	
DIRECTEUR: M.F.		Killian Mahé	
DATE:		XXX	
TAILLE:		A2	
SCALETTE: (1/3)		3:4	
SHEET NUMBER:		3,65	
SHEET:		1/1	
A		B	
I		H	
G		F	
E		D	
C		B	
A		A	

Treuil

ENIB

THIS DRAWING IS OUR PROPERTY; IT CAN'T BE REPRODUCED OR COMMUNICATED WITHOUT OUR WRITTEN AGREEMENT.



Vue isométrique
Echelle : 3:4

Qt.	Référence	Type	Nomenclature
1	Plaque	CATPart	-
46	vis chc	CATPart	-
18	Ecrou	CATPart	-
2	Profile_36	CATPart	-
4	Profile_23	CATPart	-
20	Support Plaque	CATPart	-
4	Profile_20	CATPart	-
2	Profile_30	CATPart	-
1	Moteur	CATPart	-
1	Part3	CATPart	-
1	Engrenage_Petit	CATPart	-
7	vis H_10	CATPart	-
1	Tambour_v2	CATPart	-
1	Arbre_v2	CATPart	-
1	r1t_64_40_12	CATPart	-
1	r1t_62_30_16	CATPart	-
1	circ clips interieur	CATPart	-
1	circ clip_60	CATPart	-
1	Chapeau	CATPart	-
8	vis H_26	CATPart	-
1	Engrenage_Grand	CATPart	-

DESIGNER: Bastien Fouque DATE: 20/12/2019		<h1>Treuil</h1>
DRAWING BY: Killian Mahé DATE: XXX		
SIZE: A2 WEIGHT (KG): 3,4 SCALE: 3:4		ENIB
SHEET NUMBER: 1/1		