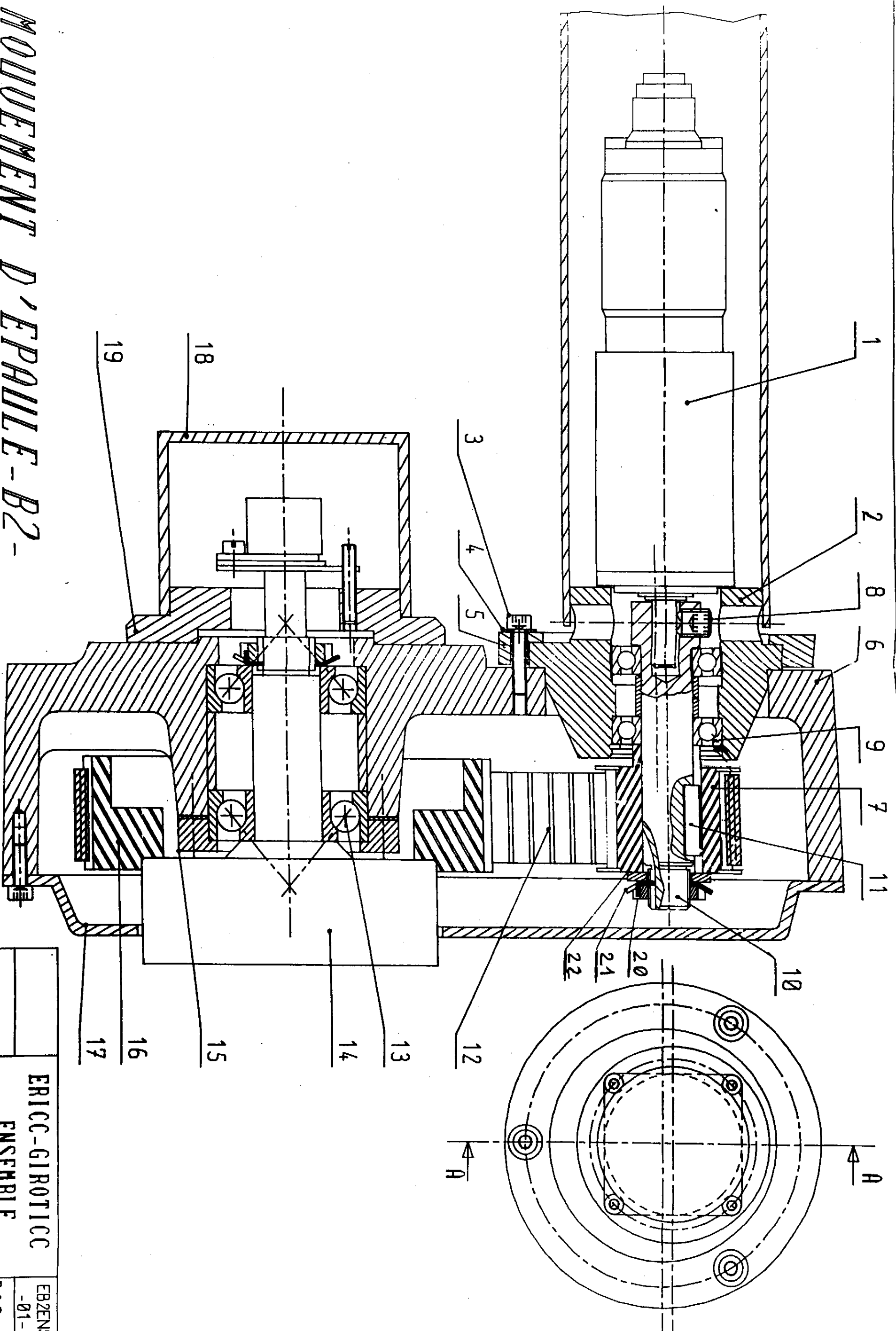


MOUEMENT D'EPALLE-B2-



ECH 1:1	ERICC-GIROTTIC ENSEMBLE	EBZENS -01-
		DOC-2