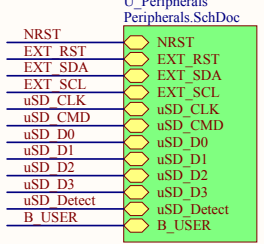
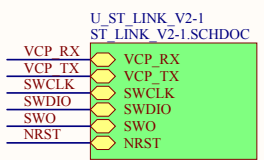
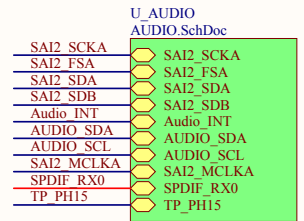
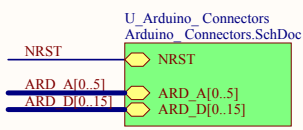
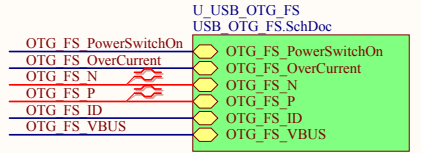
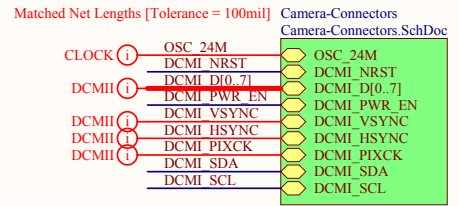
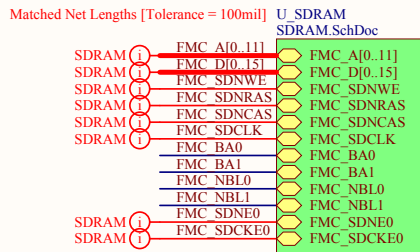
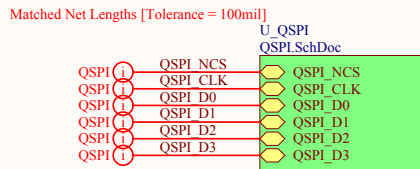
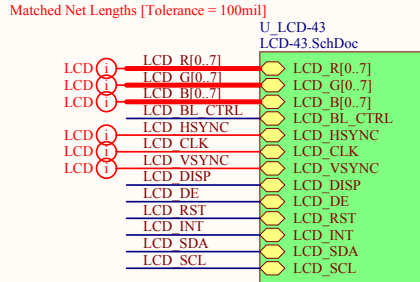
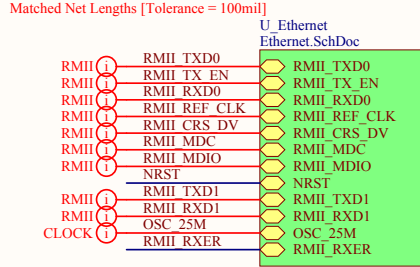
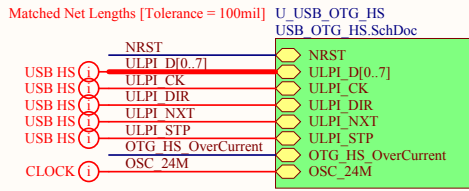
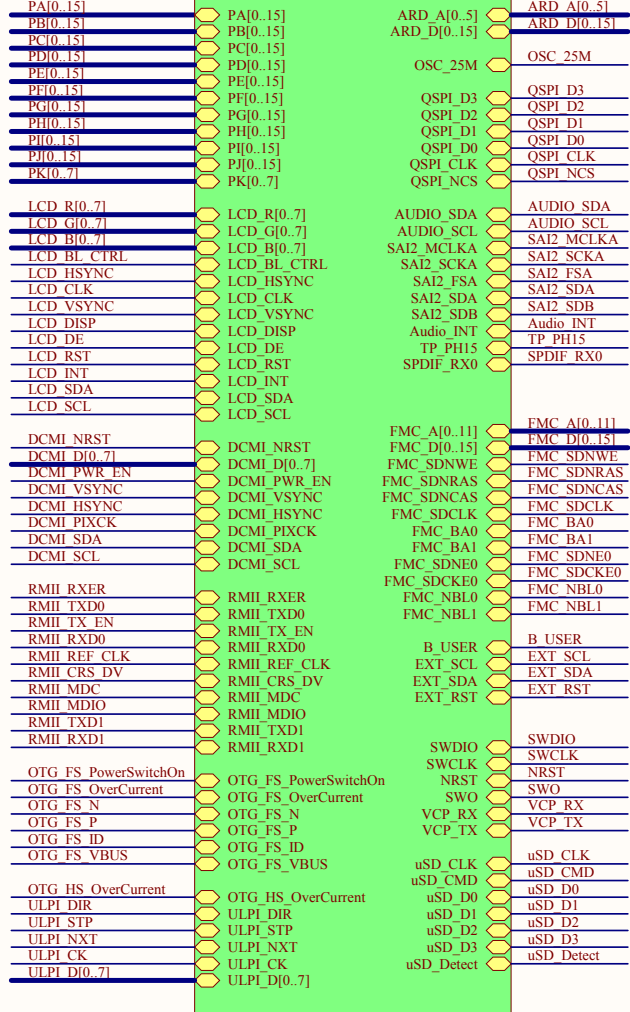
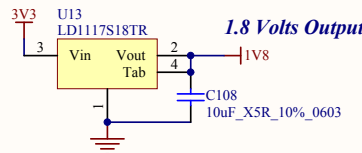
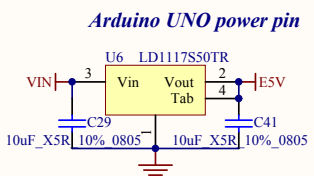
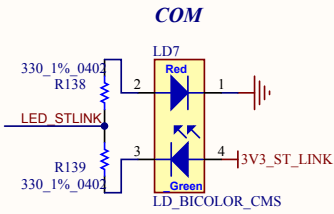
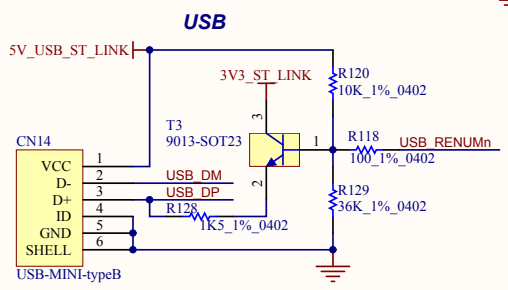
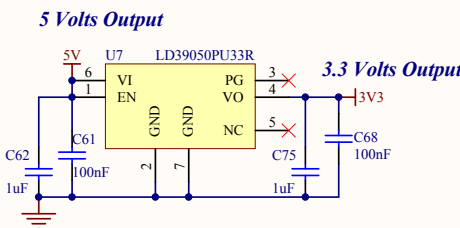
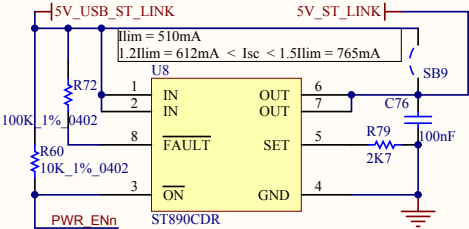
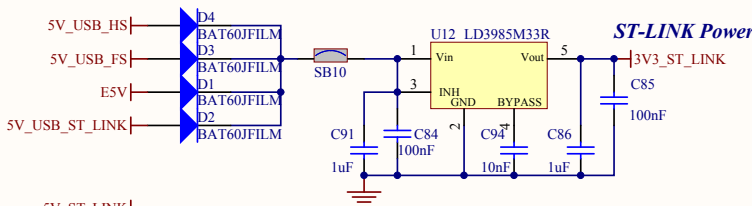
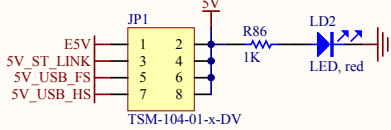
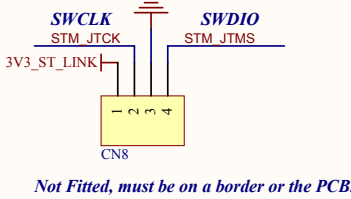
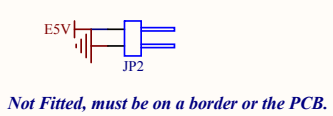
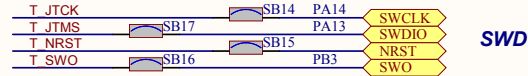
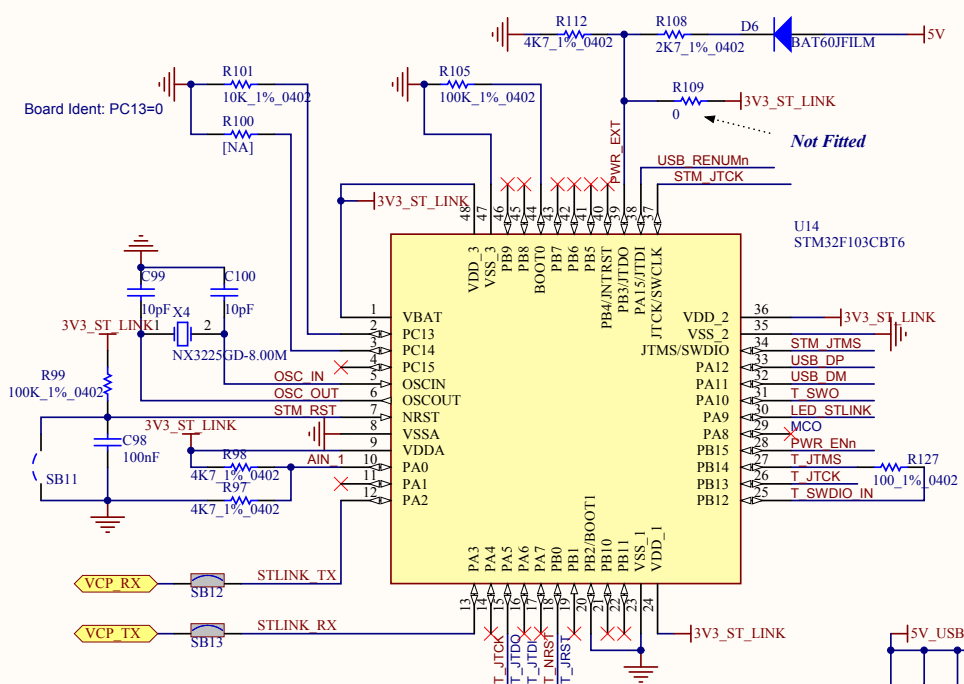


U_STM32F7
STM32F7.SchDoc



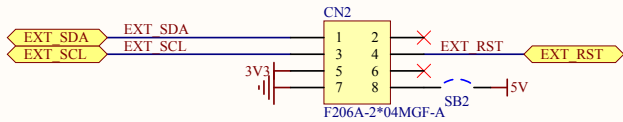
Rev A-01 --> PCB label MB1191 A-01
 Rev B-01 --> PCB label MB1191 B-01, Ethernet modification, add SPDIF module,
 Remove STPS1L30A for having 5V. Required on USB_VCC
 Rev B-02 --> PCB label MB1191 B-02, Change Capacitors value for X3, X4,
 Add R131, R135 of 100K



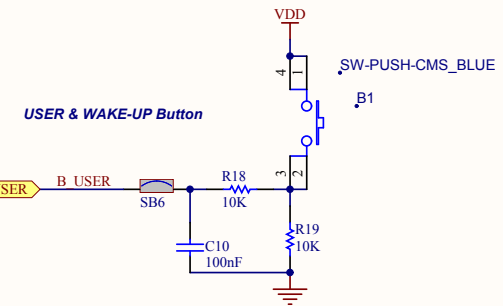
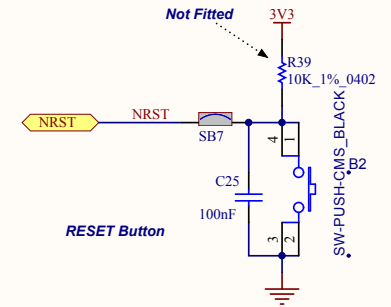
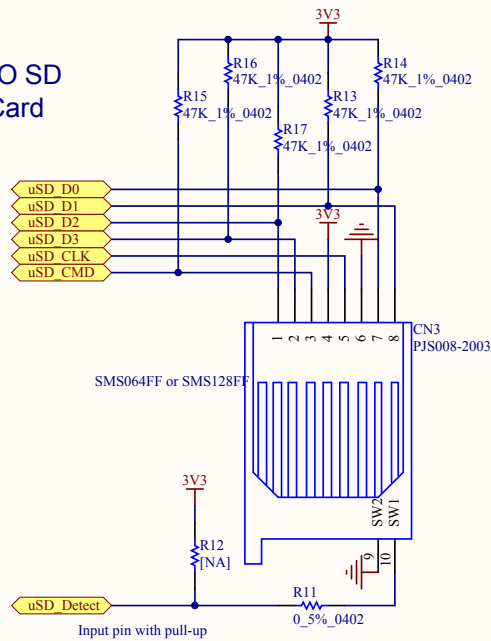
Title: ST-LINK/V2-1 with support of SWD only		
Project: STM32F746G-DISCO		
Size: A4	Reference: MB1191	Revision: B-02
Date: 5/28/2015		Sheet: 2 of 13

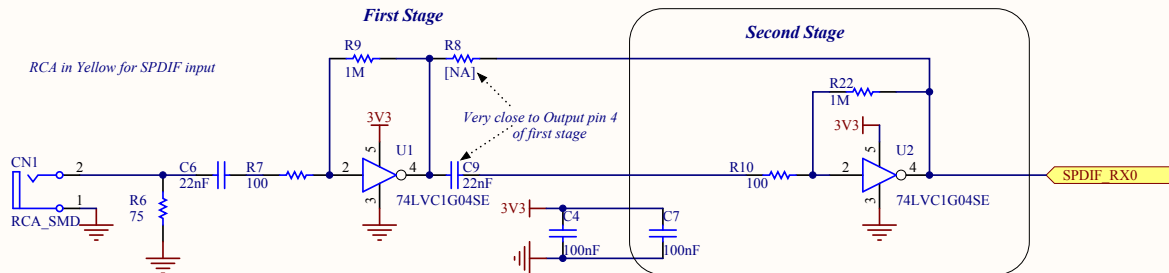
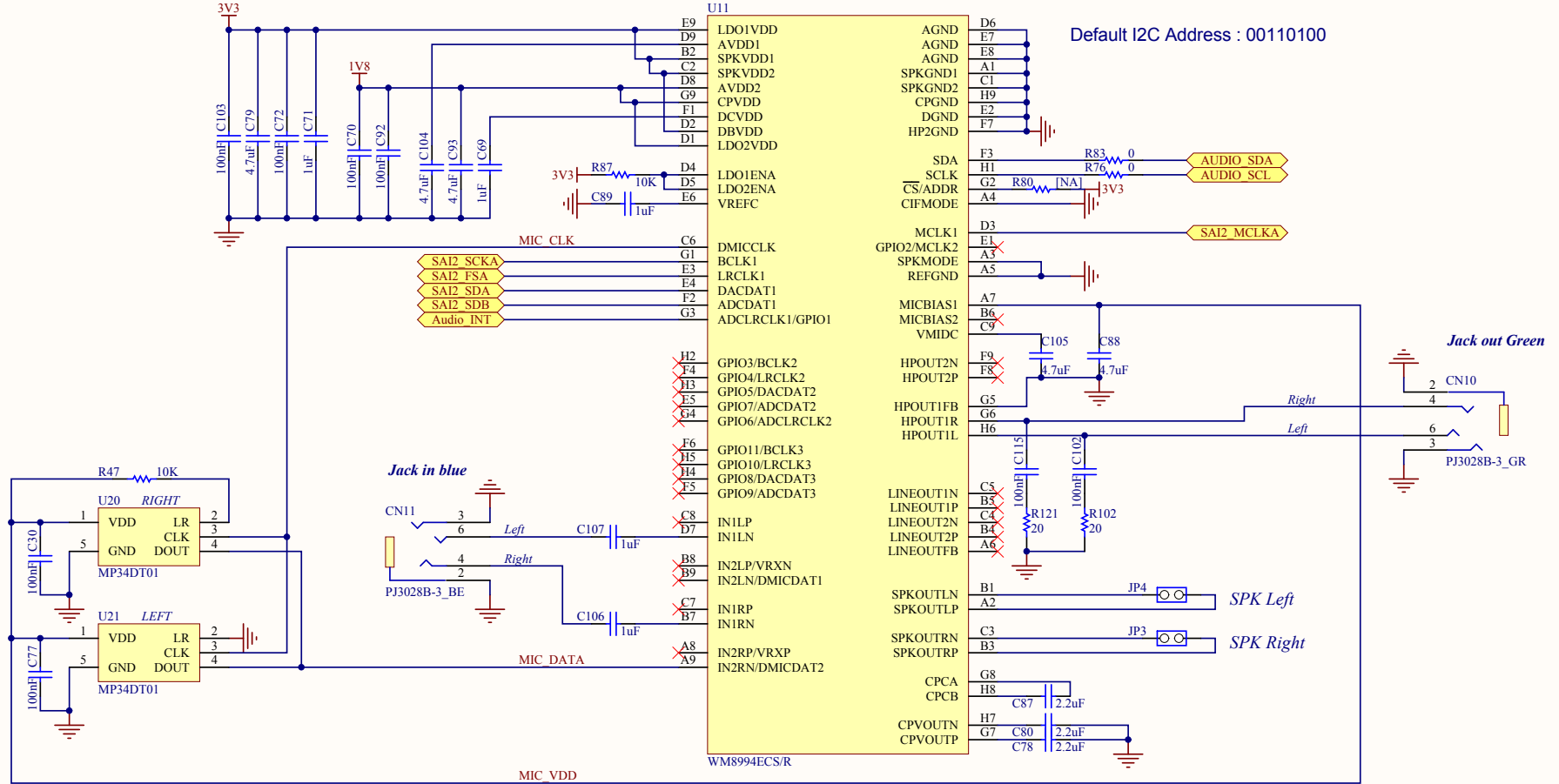
life.augmented


EXT/RF E2P Connector



MICRO SD (TF) Card

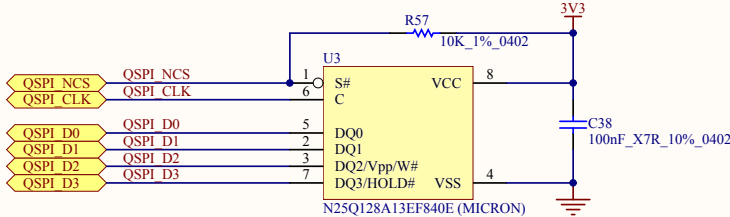




Title: Audio Codec WOLFSON and connectors			
Project: STM32F746G-DISCO			
Size: A4	Reference: MB1191		Revision: B-02
Date: 5/28/2015	Sheet: 4 of 13		

life.augmented

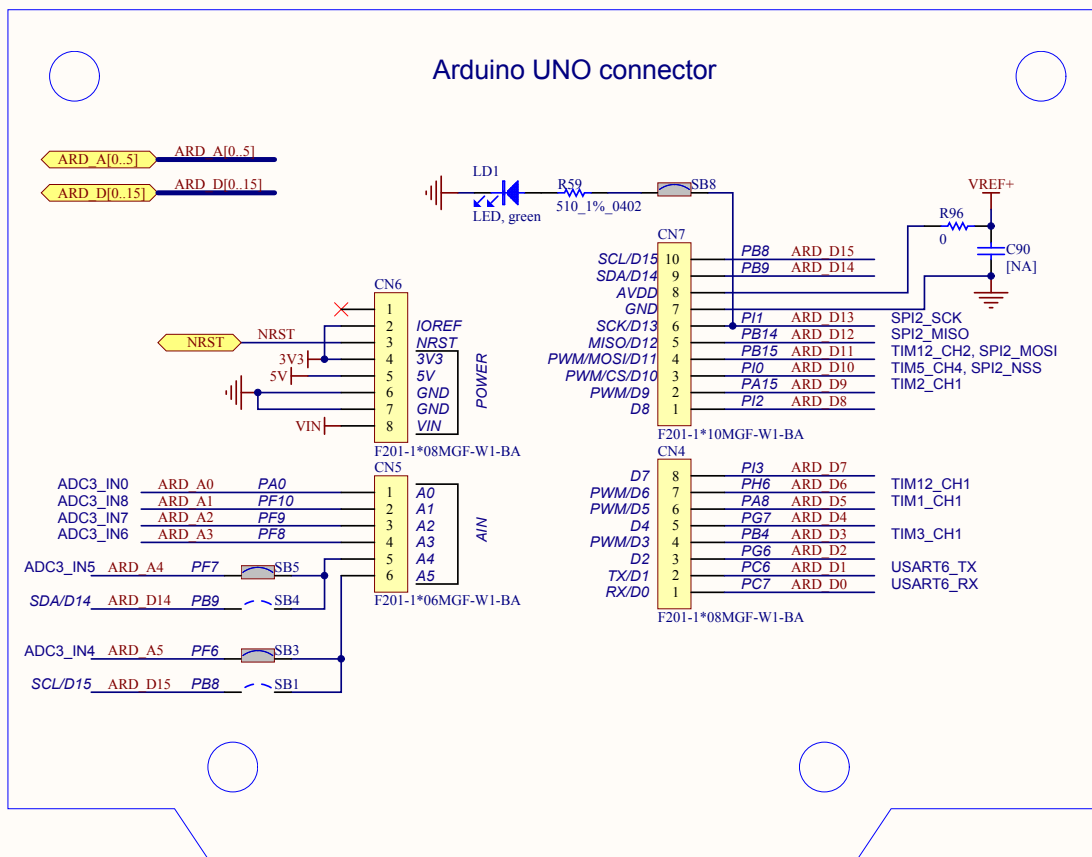
Quad SPI Flash Memory

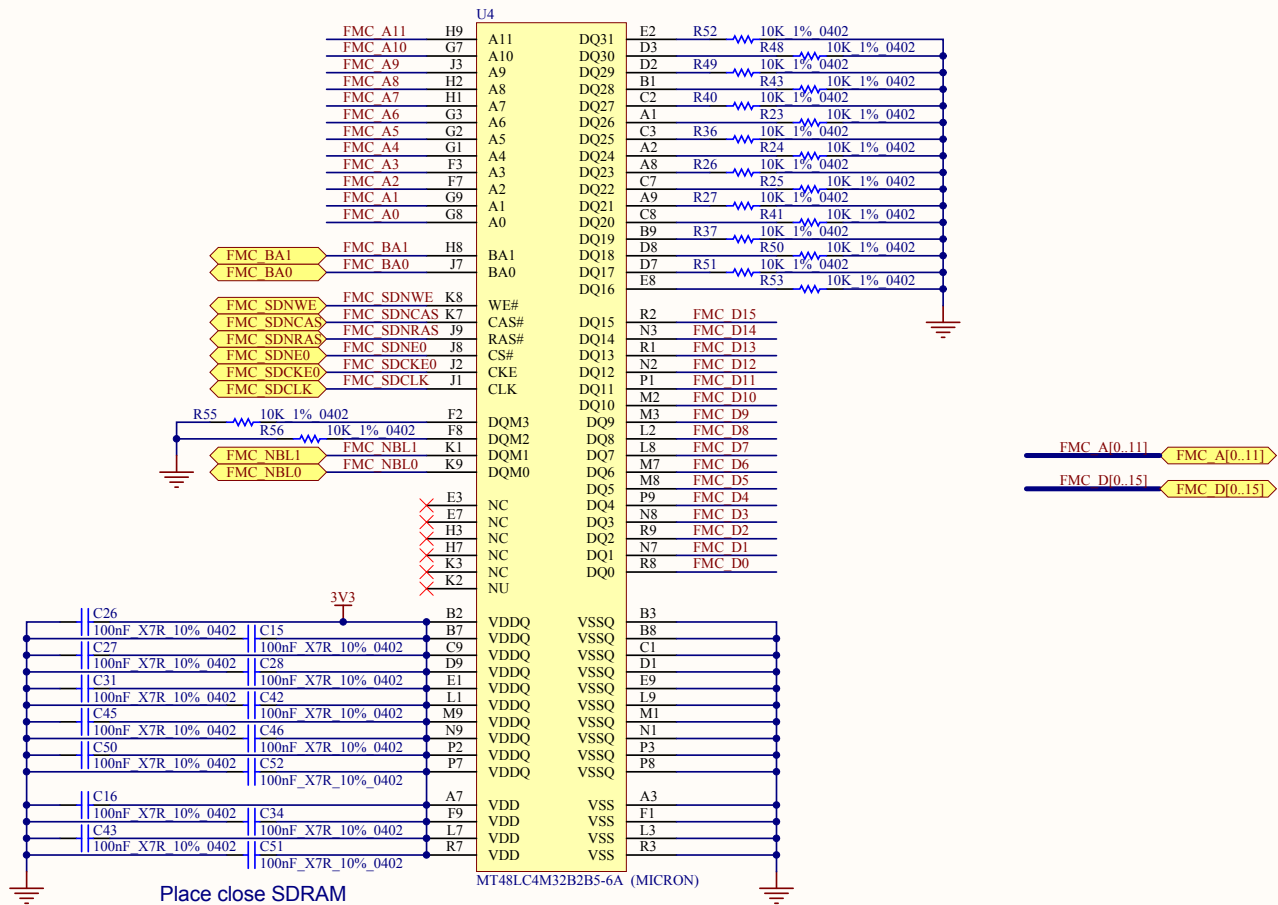


Title: Quad SPI Flash Memory (MICRON)		
Project: STM32F746G-DISCO		
Size: A4	Reference: MB1191	Revision: B-02
Date: 5/28/2015	Sheet: 5 of 13	



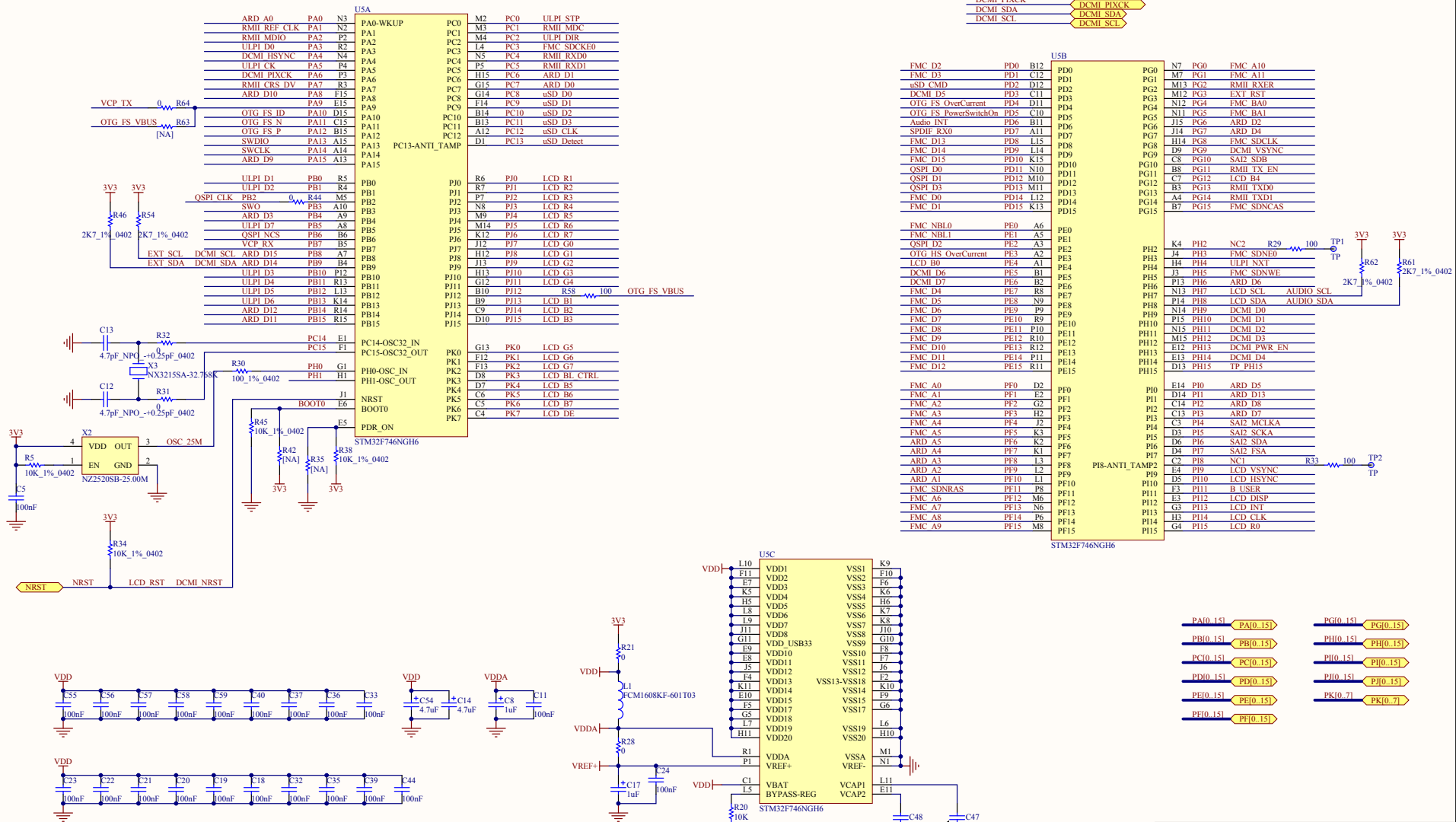
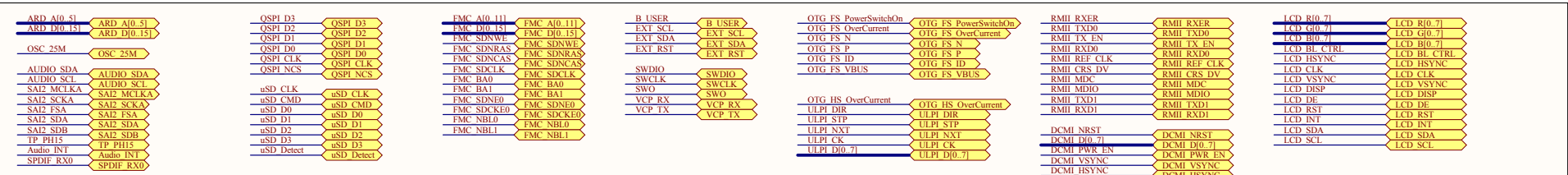
Arduino UNO connector

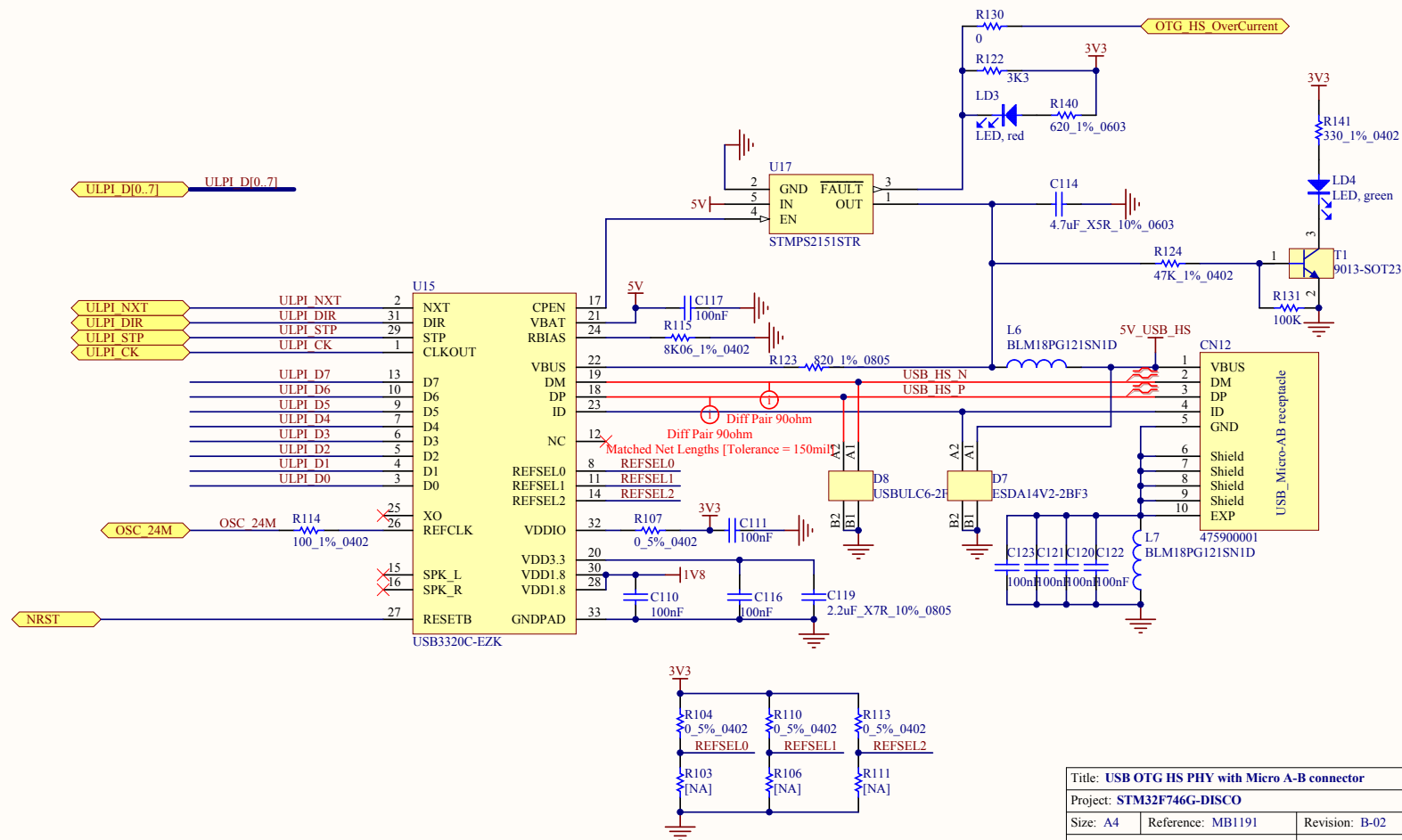




Title: SDRAM (MICRON)	
Project: STM32F746G-DISCO	
Size: A4	Reference: MB1191
Date: 5/28/2015	Revision: B-02
Sheet: 7 of 13	

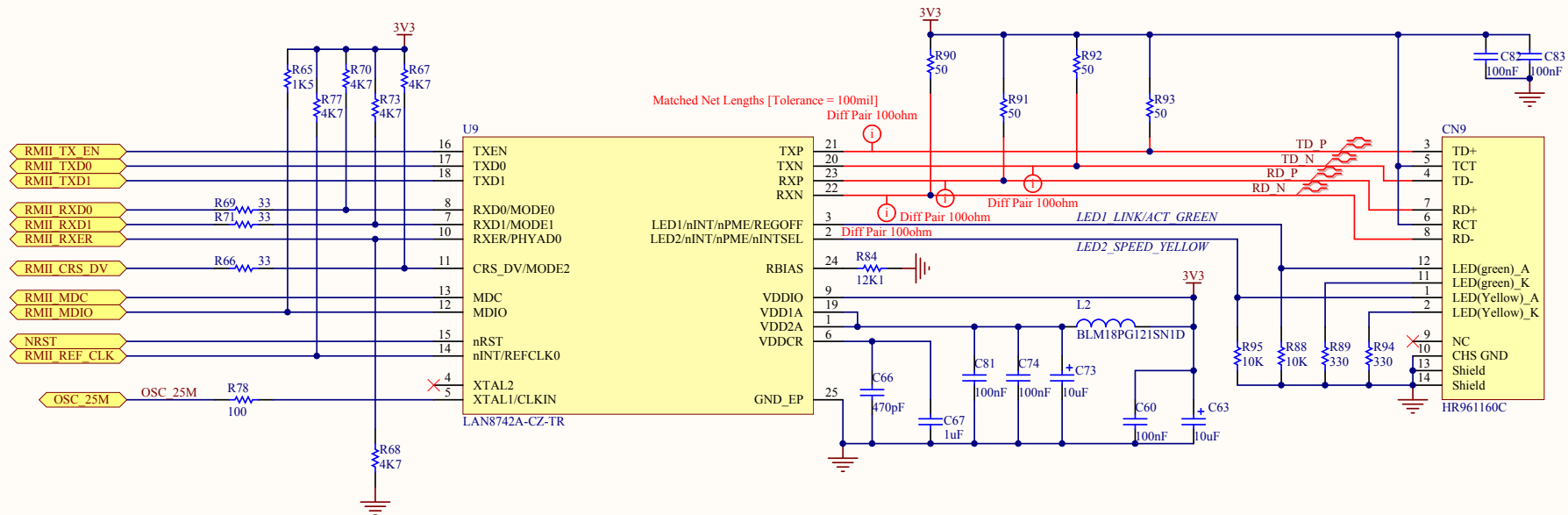






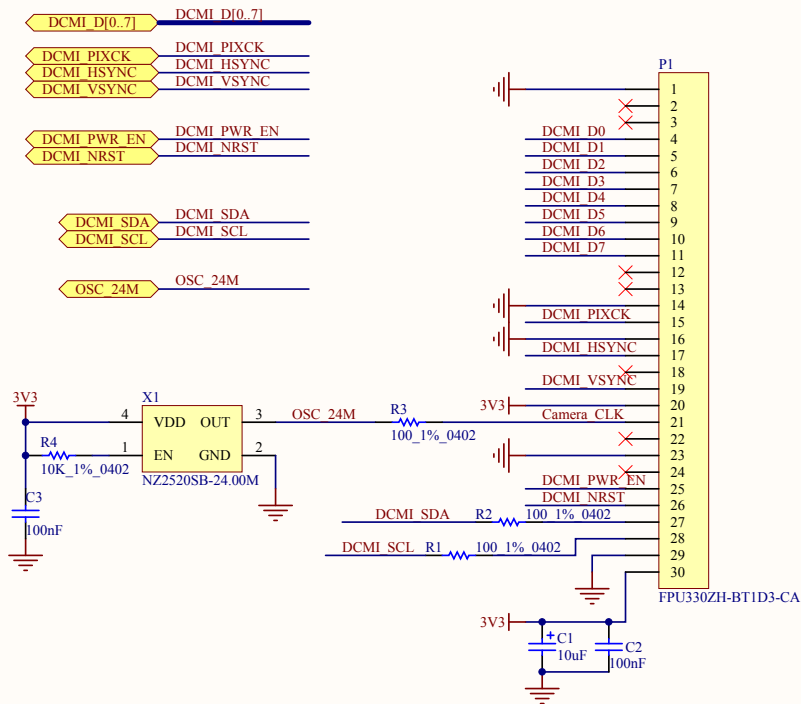
Title: USB OTG HS PHY with Micro A-B connector	
Project: STM32F746G-DISCO	
Size: A4	Reference: MB1191
Date: 5/28/2015	Revision: B-02
Sheet: 10 of 13	





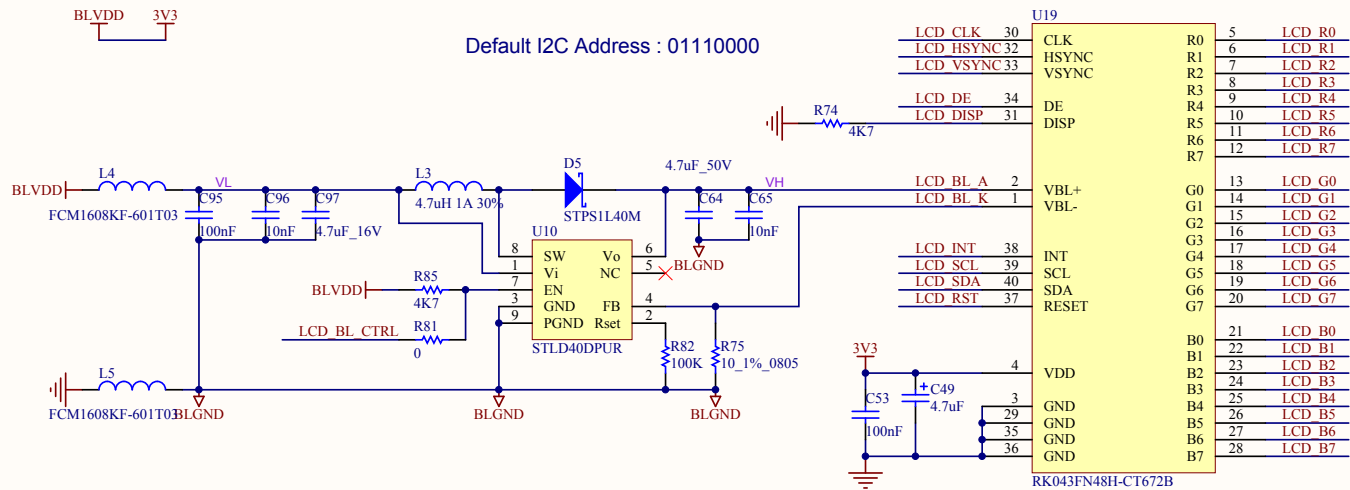
Title: Ethernet PHY with RJ45 connector		
Project: STM32F746G-DISCO		
Size: A4	Reference: MB1191	Revision: B-02
Date: 5/28/2015	Sheet: 11 of 13	





Title: External Camera connector		
Project: STM32F746G-DISCO		
Size: A4	Reference: MB1191	Revision: B-02
Date: 5/28/2015	Sheet: 12 of 13	





Backlight driver & PFC of LCD panel

