



Miniature SPI Digital Barometer

The MPL115A1 is an absolute pressure sensor with a digital SPI output targeting low cost applications. A miniature 5 by 3 by 1.2 mm LGA package is ideally suited for the space constrained requirements of portable electronic devices. Low current consumptions of 5 μ A during Active mode and 1 μ A during Shutdown (Sleep) mode are essential when focusing on low-power applications. The wide operating temperature range spans from -40°C to +105°C to fit demanding environment conditions.

The MPL115A1 employs a MEMS pressure sensor with a conditioning IC to provide accurate pressure measurements from 50 to 115 kPa. An integrated ADC converts pressure and temperature sensor readings to digitized outputs via a SPI port. Factory calibration data is stored internally in an on-board ROM. Utilizing the raw sensor output and calibration data, the host microcontroller executes a compensation algorithm to render *Compensated Absolute Pressure* with ± 1 kPa accuracy.

The MPL115A1 pressure sensor's small form factor, low power capability, precision, and digital output optimize it for barometric measurement applications.

Features

- Digitized pressure and temperature information together with programmed calibration coefficients for host micro use.
- Factory Calibrated
- 50 kPa to 115 kPa Absolute Pressure
- ± 1 kPa Accuracy
- 2.375V to 5.5V Supply
- Integrated ADC
- SPI Interface
- Monotonic Pressure and Temperature Data Outputs
- Surface Mount RoHS Compliant Package

Application Examples

- Barometry (portable and desktop)
- Altimeters
- Weather Stations
- Hard Disk-Drives (HDD)
- Industrial Equipment
- Health Monitoring
- Air Control Systems

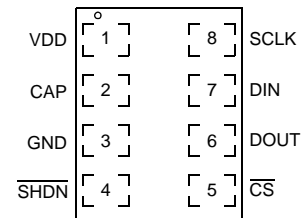
MPL115A1

50 to 115 kPa



LGA Package
5.0 mm by 3.0 mm by 1.2 mm

Top View



Pin Connections

ORDERING INFORMATION

Device Name	Package Options	Case No.	# of Ports			Pressure Type			Digital Interface
			None	Single	Dual	Gauge	Differential	Absolute	
MPL115A1	Tray	2015	•					•	SPI
MPL115A1T1	Tape & Reel (1000)	2015	•					•	SPI
MPL115A1T2	Tape & Reel (5000)	2015	•					•	SPI

1 Block Diagram and Pin Descriptions

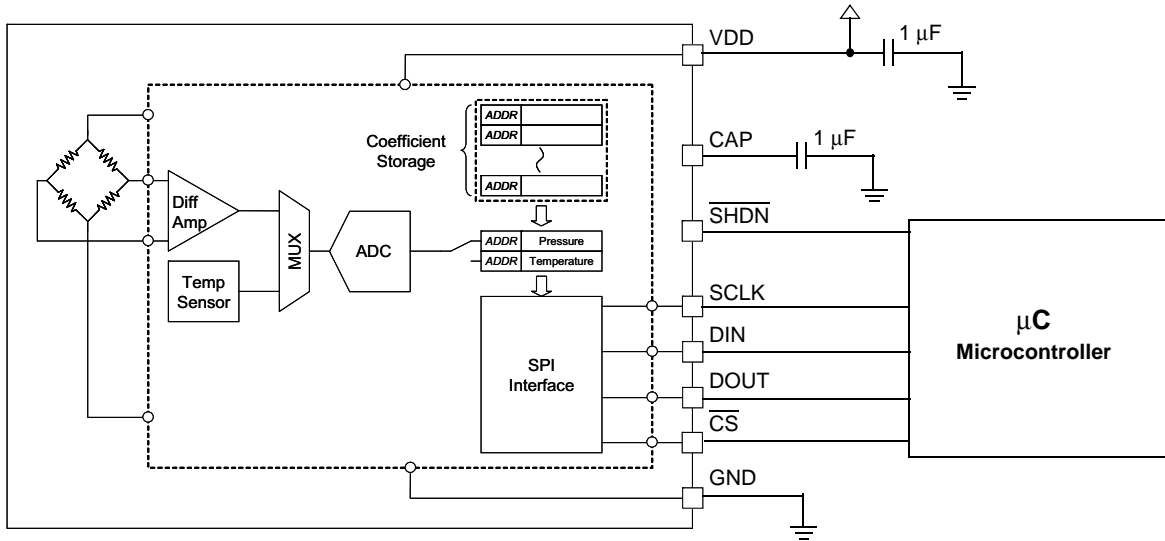


Figure 1. Block Diagram and Pin Connections

Table 1. Pin Description

Pin	Name	Function
1	VDD	VDD Power Supply Connection: VDD range is 2.375V to 5.5V.
2	CAP	External Capacitor: Output decoupling capacitor for main internal regulator. Connect a 1 μ F ceramic capacitor to ground.
3	GND	Ground
4	$\overline{\text{SHDN}}$	Shutdown: Connect to GND to disable the device. When in shut down the part draws no more than 1 μ A supply current and all communications pins ($\overline{\text{CS}}$, SCLK, DOUT, DIN) are high impedance. Connect to VDD for normal operation.
5	$\overline{\text{CS}}$	$\overline{\text{CS}}$: Chip Select line.
6	DOUT	DOUT: Serial data output
7	DIN	DIN: Serial data input
8	SCLK	SCLK: Serial Clock Input.

2 Mechanical and Electrical Specifications

2.1 Maximum Ratings

Voltage (with respect to GND unless otherwise noted)

V_{DD}	-0.3 V to +5.5 V
\overline{SHDN} , SCLK, \overline{CS} , D_{IN} , D_{OUT}	-0.3 V to $V_{DD}+0.3$ V
Operating Temperature Range	-40°C to +105°C
Storage Temperature Range	-40°C to +125°C
Overpressure	1000 kPa

2.2 Operating Characteristics

(V_{DD} = 2.375 V to 5.5 V, T_A = -40°C to +105°C, unless otherwise noted. Typical values are at V_{DD} = 3.3 V, T_A = +25°C.)

Ref	Parameters	Symbol	Conditions	Min	Typ	Max	Units
1	Operating Supply Voltage	V_{DD}		2.375	3.3	5.5	V
2	Supply Current	I_{DD}	Shutdown (\overline{SHDN} = GND)	—	—	1	μ A
			Standby	—	3.5	10	μ A
			Average – at one measurement per second	—	5	—	μ A
Pressure Sensor							
3	Range			50	—	115	kPa
4	Resolution			—	0.15	—	kPa
5	Accuracy		-20°C to 85°C	—	—	± 1	kPa
6	Conversion Time (Start Pressure and Temperature Conversion)	t_c	Time between start convert command and data available in the Pressure and Temperature registers	—	1.6	3	ms
7	Wakeup Time	t_w	Time between leaving Shutdown mode (\overline{SHDN} goes high) and communicating with the device to issue a command or read data.	—	3	5	ms
SPI Inputs: SCLK, \overline{CS}, D_{IN}							
8	SCLK Clock Frequency	f_{SCLK}	⁽¹⁾	—	—	8	MHz
9	Low Level Input Voltage	V_{IL}		—	—	$0.3V_{DD}$	V
10	High Level Input Voltage	V_{IH}		$0.7V_{DD}$	—	—	V
SPI Outputs: D_{OUT}							
11	Low Level Output Voltage	V_{OL1}	At 3 mA sink current	0	—	0.4	V
		V_{OL2}	At 6 mA sink current	0	—	0.6	
12	High Level Output Voltage	V_{OH1}	At 3 mA source current	$V_{DD} - 0.4$ V	—	—	V

1.Nominal maximum SPI clock frequency.

3 Overview of Functions/Operation

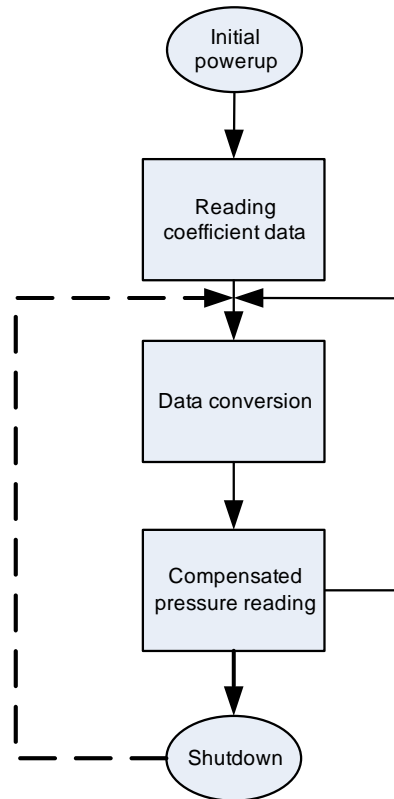


Figure 2. Sequence Flow Chart

The MPL115A interfaces to a host (or system) microcontroller in the user's application. All communications are via SPI. A typical usage sequence is as follows:

Initial Power-up

All circuit elements are active. SPI port pins are high impedance and associated registers are cleared. The device then enters standby mode.

Reading Coefficient Data

The user then typically accesses the part and reads the coefficient data. The main circuits within the slave device are disabled during read activity. The coefficients are usually stored in the host microcontroller local memory but can be re-read at any time.

Reading of the coefficients may be executed only once and the values stored in the host microcontroller. It is not necessary to read this multiple times because the coefficients within a device are constant and do not change. However, note that the coefficients will be different from device to device, and cannot be used for another part.

Data Conversion

This is the first step that is performed each time a new pressure reading is required which is initiated by the host sending the CONVERT command. The main system circuits are activated (wake) in response to the command and after the conversion completes, the result is placed into the Pressure and Temperature ADC output registers.

The conversion completes within the maximum conversion time, t_c (see [Row 6](#), in the Operating Characteristics Table). The device then enters standby mode.

Compensated Pressure Reading

After the conversion has been given sufficient time to complete, the host microcontroller reads the result from the ADC output registers and calculates the Compensated Pressure, a barometric/atmospheric pressure value which is compensated for changes in temperature and pressure sensor linearity. This is done using the coefficient data from the MPL115A and the raw sampled pressure and temperature ADC output values, in a compensation equation (detailed later). Note that this is an absolute pressure measurement with a vacuum as a reference.

From this step the host controller may either wait and then return to the Data Conversion step to obtain the next pressure reading or it may go to the Shutdown step.

Shutdown

For longer periods of inactivity the user may assert the $\overline{\text{SHDN}}$ input by driving this pin low to reduce system power consumption. This removes power from all internal circuits, including any registers. In the shutdown state, the Pressure and Temperature registers will be reset, losing any previous ADC output values.

This step is exited by taking the $\overline{\text{SHDN}}$ pin high. Wait for the maximum wakeup time, t_w (see Row 7, in the Operating Characteristics Table), after which another pressure reading can be taken by transitioning to the data Conversion step.

Table 2. Device Memory Map

Address	Name	Description
0x00	Padc_MSB	10-bit Pressure ADC output value MSB
0x01	Padc_LSB	10-bit Pressure ADC output value LSB
0x02	Tadc_MSB	10-bit Temperature ADC output value MSB
0x03	Tadc_LSB	10-bit Temperature ADC output value LSB
0x04	a0_MSB	a0 coefficient MSB
0x05	a0_LSB	a0 coefficient LSB
0x06	b1_MSB	b1 coefficient MSB
0x07	b1_LSB	b1 coefficient LSB
0x08	b2_MSB	b2 coefficient MSB
0x09	b2_LSB	b2 coefficient LSB
0x0A	c12_MSB	c12 coefficient MSB
0x0B	c12_LSB	c12 coefficient LSB
0x0C	Reserved*	—
0x0D	Reserved*	—
0x0E	Reserved*	—
0x0F	Reserved*	—
0x10	Reserved	—
0x11	Reserved	—
0x12	CONVERT	Start Pressure and Temperature Conversion

*These registers are set to 0x00. These are reserved, and were previously utilized as Coefficient values, c11 and c22, which were always 0x00.

For values with less than 16 bits, the lower LSBs are zero. For example, c12 is 14 bits and is stored into 2 bytes as follows:

$$c12 \text{ MS byte} = c12[13:6] = [c12_{b13}, c12_{b12}, c12_{b11}, c12_{b10}, c12_{b9}, c12_{b8}, c12_{b7}, c12_{b6}]$$

$$c12 \text{ LS byte} = c12[5:0] \ \& \ "00" = [c12_{b5}, c12_{b4}, c12_{b3}, c12_{b2}, c12_{b1}, c12_{b0}, 0, 0]$$

3.1 Pressure, Temperature and Coefficient Bit-Width Specifications

The table below specifies the initial coefficient bit-width specifications for the compensation algorithm and the specifications for Pressure and Temperature ADC values.

Pressure, Temperature and Compensation Coefficient Specifications						
	a0	b1	b2	c12	Padc	Tadc
Total Bits	16	16	16	14	10	10
Sign Bits	1	1	1	1	0	0
Integer Bits	12	2	1	0	10	10
Fractional Bits	3	13	14	13	0	0
dec pt zero pad	0	0	0	9	0	0

Example Binary Format Definitions:

a0 Signed, Integer Bits = 12, Fractional Bits = 3 :

b1 Signed, Integer Bits = 2, Fractional Bits = 7 :

b2 Signed, Integer Bits = 1, Fractional Bits = 14 :

c12 Signed, Integer Bits = 0, Fractional Bits = 13, dec pt zero pad = 9 :

Padc Unsigned, Integer Bits = 10 :

Tadc Unsigned, Integer Bits = 10 :

Coeff a0 = S I₁₁ I₁₀ I₉ I₈ I₇ I₆ I₅ I₄ I₃ I₂ I₁ I₀ . F₂ F₁ F₀

Coeff b1 = S I₁ I₀ . F₁₂ F₁₀ F₉ F₈ F₇ F₆ F₅ F₄ F₃ F₂ F₁ F₀

Coeff b2 = S I₀ . F₁₃ F₁₂ F₁₀ F₉ F₈ F₇ F₆ F₅ F₄ F₃ F₂ F₁ F₀

Coeff c12 = S 0 . 000 000 000 F₁₂ F₁₀ F₉ F₈ F₇ F₆ F₅ F₄ F₃ F₂ F₁ F₀

Padc U = I₉ I₈ I₇ I₆ I₅ I₄ I₃ I₂ I₁ I₀

Tadc U = I₉ I₈ I₇ I₆ I₅ I₄ I₃ I₂ I₁ I₀

NOTE: Negative coefficients are coded in 2's complement notation.

3.2 Compensation

The 10-bit compensated pressure output, Pcomp, is calculated as follows:

$$P_{comp} = a_0 + (b_1 + c_{12} \cdot T_{adc}) \cdot P_{adc} + b_2 \cdot T_{adc}$$

Eqn. 1

Where:

Padc is the 10-bit pressure ADC output of the MPL115A

Tadc is the 10-bit temperature ADC output of the MPL115A

a0 is the pressure offset coefficient

b1 is the pressure sensitivity coefficient

b2 is the temperature coefficient of offset (TCO)

c12 is the temperature coefficient of sensitivity (TCS)

Pcomp will produce a value of 0 with an input pressure of 50 kPa and will produce a full-scale value of 1023 with an input pressure of 115 kPa.

$$\text{Pressure (kPa)} = P_{comp} \cdot \left[\frac{115 - 50}{1023} \right] + 50$$

Eqn. 2

3.3 Evaluation Sequence, Arithmetic Circuits

The following is an example of the calculation for Pcomp, the compensated pressure output. Input values are in **bold**.

$$c_{12}x_2 = \mathbf{c12} * \mathbf{Tadc}$$

$$a_1 = \mathbf{b1} + c_{12}x_2$$

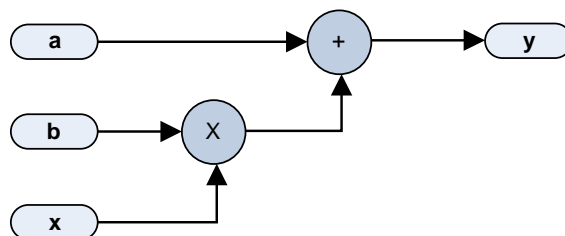
$$a_1x_1 = a_1 * \mathbf{Padc}$$

$$y_1 = \mathbf{a0} + a_1x_1$$

$$a_2x_2 = \mathbf{b2} * \mathbf{Tadc}$$

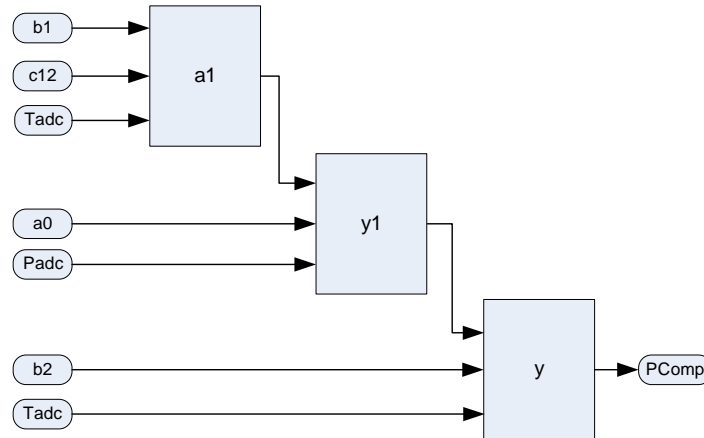
$$P_{comp} = y_1 + a_2x_2$$

This can be calculated as a succession of Multiply Accumulates (MACs) operations of the form $y = a + b * x$:



The polynomial can be evaluated (Equation 1) as a sequence of 3 MACs:

$$P_{comp} = a_0 + (b_1 + c_{12} \cdot T_{adc}) \cdot P_{adc} + b_2 \cdot T_{adc}$$



Please refer to Freescale application note AN3785 for more detailed notes on implementation.

3.4 SPI Device Read/Write Operations

All device read/write operations are memory mapped. Device actions e.g. “Start Conversions” are controlled by writing to the appropriate memory address location. All memory address locations are 6-bit (see Table 2).

The 8-bit command word comprises:

- the most significant bit which is the Read/Write identifier which is '1' for read operations and '0' for write operations.
- the 6-bit address (from Table 2);
- the least significant bit which is not used and is don't care (X).

The device write commands are shown in Table 3.

Table 3. SPI Write Command

Command	Binary	HEX ⁽¹⁾
Start Conversions	0010010X	0x24

X = don't care

1. The command byte needs to be paired with a 0x00 as part of the SPI exchange to complete the passing of *Start Conversions*.

The actions taken by the part in response to each command are as follows:

Table 4. SPI Write Command Description

Command	Action Taken
Start Conversions	Wake main circuits. Start clock. Allow supply stabilization time. Select pressure sensor input. Apply positive sensor excitation and perform A to D conversion. Select temperature input. Perform A to D conversion. Load the Pressure and Temperature registers with the result. Shut down main circuits and clock.

SPI Read operations are performed by sending the required address with a leading *Read* bit set to '1'. SPI operations require that each byte be addressed individually. All data is transmitted most significant bit first.

Table 5. Example SPI Read Commands

Command	Binary	HEX ⁽¹⁾
Read Pressure MSB	1000000X	0x80
Read Pressure LSB	1000001X	0x82
Read Temperature MSB	1000010X	0x84
Read Temperature LSB	1000011X	0x86
Read Coefficient data byte 1	1000100X	0x88

X = don't care

1. The command byte needs to be paired with a 0x00 as part of the SPI exchange to complete the passing of stated command.

3.5 SPI Timing

Table 6 and Figure 3 describe the timing requirements for the SPI system.

Table 6. SPI Timing

Ref	Function	Symbol	Min	Max	Unit
1	Operating Frequency	f_{of}	—	8	MHz
2	SCLK Period	t_{SCLK}	125	—	ns
3	SCLK High time	t_{CLKH}	62.5	—	ns
4	SCLK Low time	t_{CLKL}	62.5	—	ns
5	Enable lead time	t_{SCS}	125	—	ns
6	Enable lag time	t_{HCS}	125	—	ns
7	Data setup time	t_{SET}	30	—	ns
8	Data hold time	t_{HOLD}	30	—	ns
9	Data valid (after SCLK low edge)	t_{DDLY}	—	32	ns
10	Width CS High	t_{WCS}	30	—	ns

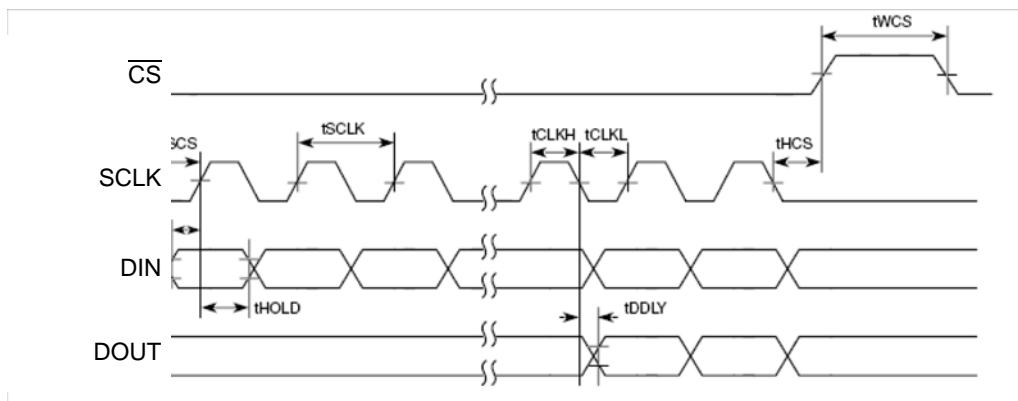


Figure 3. SPI Timing Diagram

3.6 Example of SPI Reading of Coefficients

These are MPL115A1 SPI commands to read coefficients, execute Pressure and Temperature conversions, and to read Pressure and Temperature data. The sequence of the commands for the interaction is given as an example to operate the MPL115A1. Utilizing this gathered data, an example of the calculating the Compensated Pressure reading is given in floating point notation.

SPI Commands (simplified for communication)

- Command to Write "Convert Pressure and Temperature" = 0x24
- Command to Read "Pressure ADC High byte" = 0x80
- Command to Read "Pressure ADC Low byte" = 0x82
- Command to Read "Temperature ADC High byte" = 0x84
- Command to Read "Temperature ADC Low byte" = 0x86
- Command to Read "Coefficient data byte 1 High byte" = 0x88

Read Coefficients:

[CS=0], [0x88], [0x00], [0x8A], [0x00], [0x8C], [0x00], [0x8E], [0x00], [0x90], [0x00], [0x92], [0x00], [0x94], [0x00], [0x96], [0x00], [0x00], [CS=1]

Start Pressure and Temperature Conversion, Read raw Pressure:

[CS=0], [0x24], [0x00], [CS=1], [3 ms Delay]

[CS=0], [0x80], [0x00], [0x82], [0x00], [0x84], [0x00], [0x86], [0x00], [0x00], [CS=1]

NOTE: Extra [0x00] at the end of each sequence to output the last data byte on the slave side of the SPI.

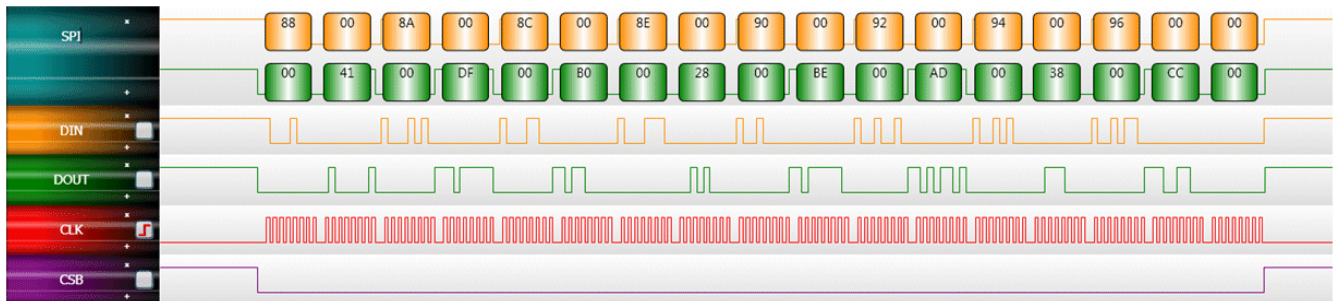


Figure 4. SPI Read Coefficient Datagram

- a0 coefficient MSB = 0x41
- a0 coefficient LSB = 0xDF a0 coefficient = 0x41DF = 2107.875

- b1 coefficient MSB = 0xB0
- b1 coefficient LSB = 0x28 b1 coefficient = 0xB028 = -2.49512

- b2 coefficient MSB = 0xBE
- b2 coefficient LSB = 0xAD b2 coefficient = 0xBEAD = -1.02069

- c12 coefficient MSB = 0x38
- c12 coefficient LSB = 0xCC c12 coefficient = 0x38CC = 0.00086665

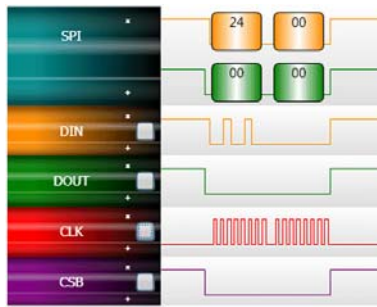


Figure 5. SPI Start Conversion Datagram

Command to Start Pressure and Temperature Conversion, 0x24

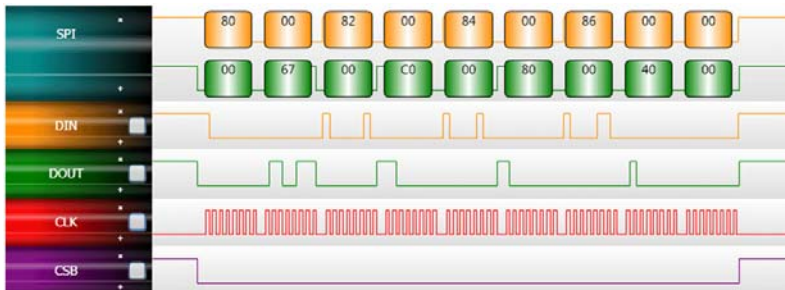


Figure 6. SPI Read Results Datagram

Pressure MSB = 0x67
Pressure LSB = 0xC0 Pressure = 0x67C0 = 0110 0111 11 00 0000
= 415 ADC counts

Temperature MSB = 0x80
Temperature LSB = 0x40 Temperature = 0x8040 = 1000 0000 01 00 0000
= 513 ADC counts

3.7 Example of Pressure Compensated Calculation in Floating-point Notation

a0 coefficient = 2107.875
b1 coefficient = -2.49512
b2 coefficient = -1.02069
c12 coefficient = 0.00086665

Pressure = 415 ADC counts
Temperature = 513 ADC counts

Pressure Compensation:

$$P_{comp} = a_0 + (b_1 + c_{12} \cdot T_{adc}) \cdot P_{adc} + b_2 \cdot T_{adc}$$

Using the evaluation sequence shown in Section 3.3:

$$\begin{aligned}c12x2 &= c12 * Tadc = 0.00086665 * 513 &= 0.44459 \\a1 &= b1 + c12x2 = -2.49512 + 0.44459 &= -2.05052 \\a1x1 &= a1 * Padc = -2.05052 * 415 &= -850.96785 \\y1 &= a0 + a1x1 = 2107.875 + (-850.96785) &= 1256.90715 \\a2x2 &= b2 * Tadc = -1.02069 * 513 &= -523.61444 \\PComp &= y1 + a2x2 = 1256.90715 + (-523.61444) &= 733.29270\end{aligned}$$

$$\begin{aligned}\text{Pressure (kPa)} &= P_{\text{comp}} \cdot \left[\frac{115 - 50}{1023} \right] + 50 \\&= 733.29 \cdot \left[\frac{115 - 50}{1023} \right] + 50 \\&= 96.59 \text{ kPa}\end{aligned}$$

4 Solder Recommendations

1. Use SAC solder alloy (i.e., Sn-Ag-Cu) with a melting point of about 217°C. It is recommended to use SAC305 (i.e., Sn-3.0 wt.% Ag-0.5 wt.% Cu).
2. Reflow
 - Ramp up rate: 2 to 3°C/s.
 - Preheat flat (soak): 110 to 130s.
 - Reflow peak temperature: 250°C to 260°C (depends on exact SAC alloy composition).
 - Time above 217°C: 40 to 90s (depends on board type, thermal mass of the board/quantities in the reflow).
 - Ramp down: 5 to 6°C/s.
 - Using an inert reflow environment (with O₂ level about 5 to 15 ppm).

NOTE: The stress level and signal offset of the device also depends on the board type, board core material, board thickness and metal finishing of the board.

5 Handling Recommendations

It is recommended to handle the MPL115A pressure sensor with a vacuum pick and place tool. Sharp objects utilized to move the MPL115A pressure sensor increase the possibility of damage via a foreign object/tool into the small exposed port.

The sensor die is sensitive to light exposure. Direct light exposure through the port hole can lead to varied accuracy of pressure measurement. Avoid such exposure to the port during normal operation.

6 Soldering/Landing Pad Information

The LGA package is compliant with the RoHS standard. It is recommended to use a no-clean solder paste to reduce cleaning exposure to high pressure and chemical agents that can damage or reduce life span of the Pressure sensing element.

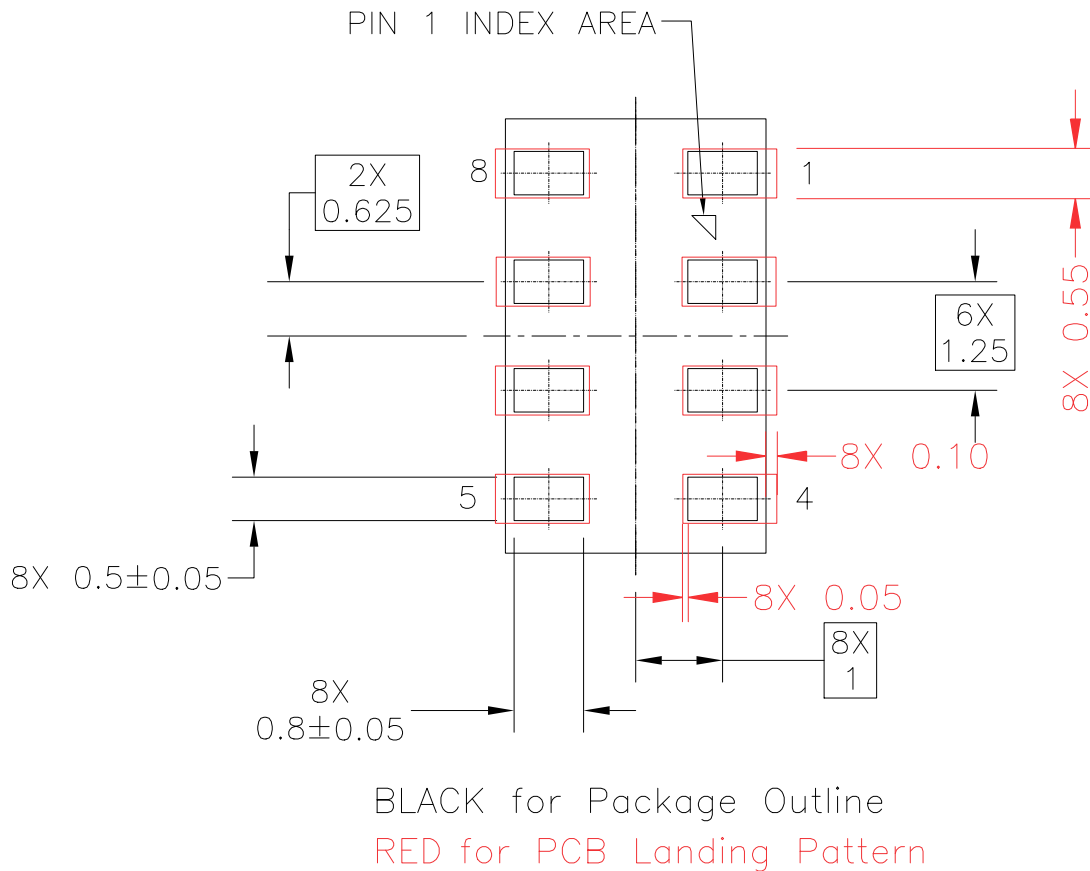


Figure 7. MPL115A1 Recommended PCB Landing Pattern

7 Tape and Reel Specifications

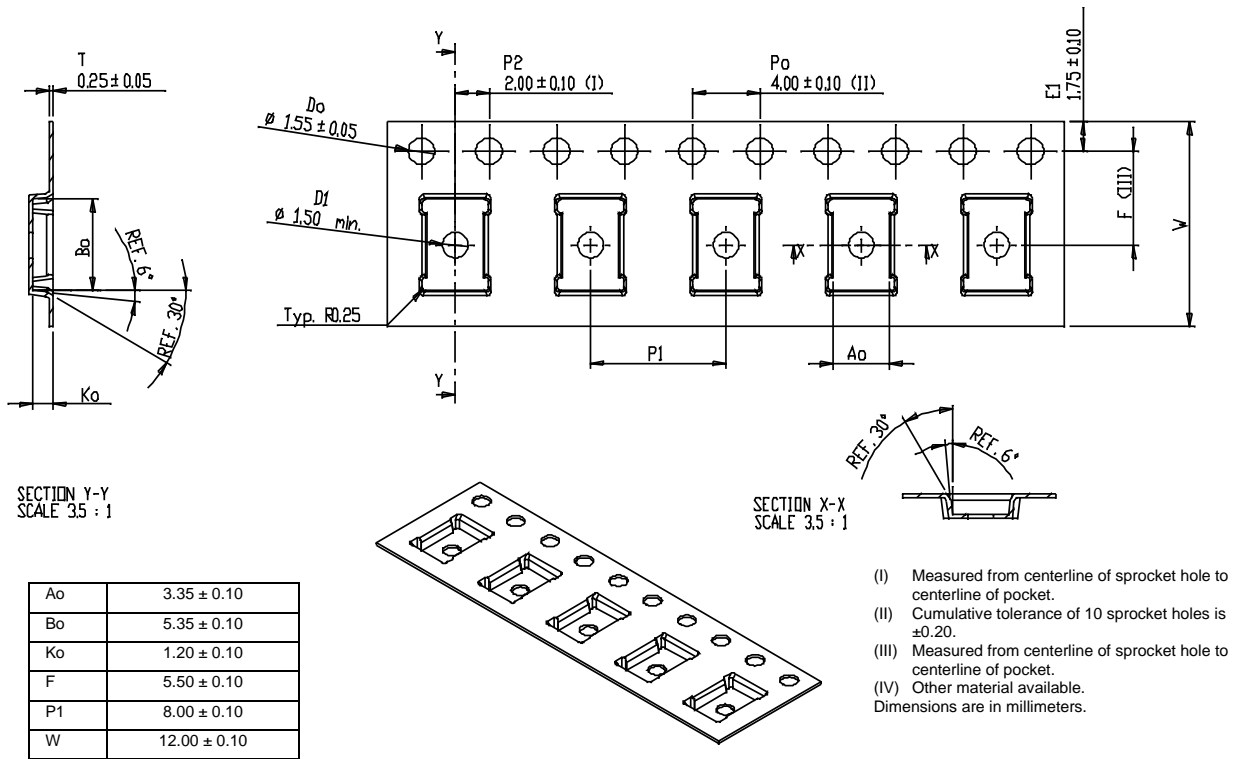


Figure 8. LGA (3 by 5) Embossed Carrier Tape Dimensions

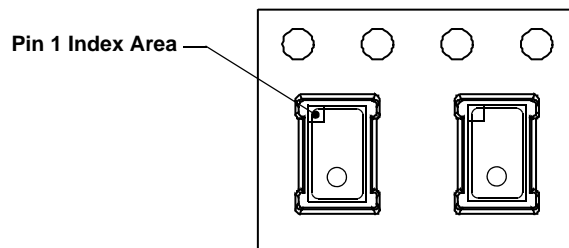
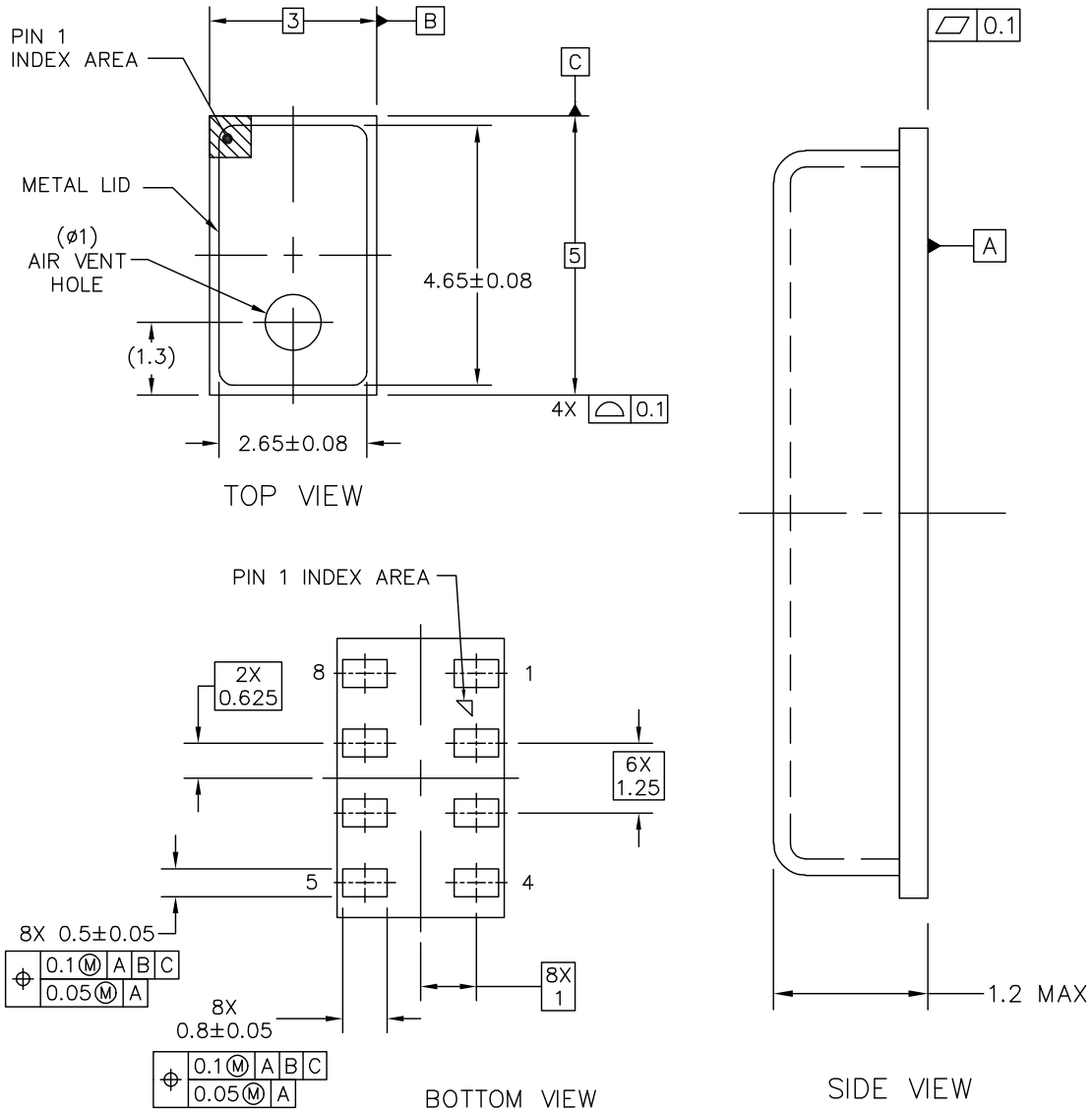


Figure 9. Device Orientation in Chip Carrier

PACKAGE DIMENSIONS



NOTES:

1. ALL DIMENSIONS IN MILLIMETERS.
2. DIMENSIONING AND TOLERANCING PER ASME Y14.5M-1994

© FREESCALE SEMICONDUCTOR, INC. ALL RIGHTS RESERVED.	MECHANICAL OUTLINE	PRINT VERSION NOT TO SCALE
TITLE: LGA 8 I/O, 3 X 5 X 1.25 PITCH, SENSOR 1.2MAX MM PKG	DOCUMENT NO: 98ASA10829D	REV: A
	CASE NUMBER: 2015-02	10 MAR 2010
	STANDARD: NON-JEDEC	

**CASE 2015-02
ISSUE A
LGA PACKAGE**

How to Reach Us:

Home Page:

www.freescale.com

Web Support:

<http://www.freescale.com/support>

USA/Europe or Locations Not Listed:

Freescale Semiconductor, Inc.
Technical Information Center, EL516
2100 East Elliot Road
Tempe, Arizona 85284
1-800-521-6274 or +1-480-768-2130
www.freescale.com/support

Europe, Middle East, and Africa:

Freescale Halbleiter Deutschland GmbH
Technical Information Center
Schatzbogen 7
81829 Muenchen, Germany
+44 1296 380 456 (English)
+46 8 52200080 (English)
+49 89 92103 559 (German)
+33 1 69 35 48 48 (French)
www.freescale.com/support

Japan:

Freescale Semiconductor Japan Ltd.
Headquarters
ARCO Tower 15F
1-8-1, Shimo-Meguro, Meguro-ku,
Tokyo 153-0064
Japan
0120 191014 or +81 3 5437 9125
support.japan@freescale.com

Asia/Pacific:

Freescale Semiconductor China Ltd.
Exchange Building 23F
No. 118 Jianguo Road
Chaoyang District
Beijing 100022
China
+86 10 5879 8000
support.asia@freescale.com

For Literature Requests Only:

Freescale Semiconductor Literature Distribution Center
1-800-441-2447 or +1-303-675-2140
Fax: +1-303-675-2150
LDCForFreescaleSemiconductor@hibbertgroup.com

Information in this document is provided solely to enable system and software implementers to use Freescale Semiconductor products. There are no express or implied copyright licenses granted hereunder to design or fabricate any integrated circuits or integrated circuits based on the information in this document.

Freescale Semiconductor reserves the right to make changes without further notice to any products herein. Freescale Semiconductor makes no warranty, representation or guarantee regarding the suitability of its products for any particular purpose, nor does Freescale Semiconductor assume any liability arising out of the application or use of any product or circuit, and specifically disclaims any and all liability, including without limitation consequential or incidental damages. "Typical" parameters that may be provided in Freescale Semiconductor data sheets and/or specifications can and do vary in different applications and actual performance may vary over time. All operating parameters, including "Typicals", must be validated for each customer application by customer's technical experts. Freescale Semiconductor does not convey any license under its patent rights nor the rights of others. Freescale Semiconductor products are not designed, intended, or authorized for use as components in systems intended for surgical implant into the body, or other applications intended to support or sustain life, or for any other application in which the failure of the Freescale Semiconductor product could create a situation where personal injury or death may occur. Should Buyer purchase or use Freescale Semiconductor products for any such unintended or unauthorized application, Buyer shall indemnify and hold Freescale Semiconductor and its officers, employees, subsidiaries, affiliates, and distributors harmless against all claims, costs, damages, and expenses, and reasonable attorney fees arising out of, directly or indirectly, any claim of personal injury or death associated with such unintended or unauthorized use, even if such claim alleges that Freescale Semiconductor was negligent regarding the design or manufacture of the part.

Freescale and the Freescale logo are trademarks of Freescale Semiconductor, Inc., Reg. U.S. Pat. & Tm. Off. All other product or service names are the property of their respective owners.

© 2011 Freescale Semiconductor, Inc. All rights reserved.

RoHS-compliant and/or Pb-free versions of Freescale products have the functionality and electrical characteristics of their non-RoHS-compliant and/or non-Pb-free counterparts. For further information, see <http://www.freescale.com> or contact your Freescale sales representative.

For information on Freescale's Environmental Products program, go to <http://www.freescale.com/epp>.